

# 3900 Metal Toggle Switches 16A 250Vac - IP67 Sealed Versions



- ▶ Metal toggle switches
- ▶ Ratings up to 20A, 277V ac
- ▶ Single and double pole
- ▶ Choice of circuits including 3 position and momentary
- ▶ Sealed version supplied complete with gaskets
- ▶ Panel seal version to IP67
- ▶ 6.3mm terminals
- ▶ Guard option



16(4)A 250Vac T85 (3900 & 3950)  
10(4)A 250Vac T85 (All other circuits)



UL CSA\* 20A 125/277Vac (ON-OFF Circuits)  
UL CSA\* 16A 125/277Vac (Other Circuits)  
UL CSA\* 7A 72Vdc, 14A 36Vdc  
UL 250Vac 1hp, 125Vac 1/2hp  
UL 65°C, file E45221, CSA file LR10990



RoHS compliant

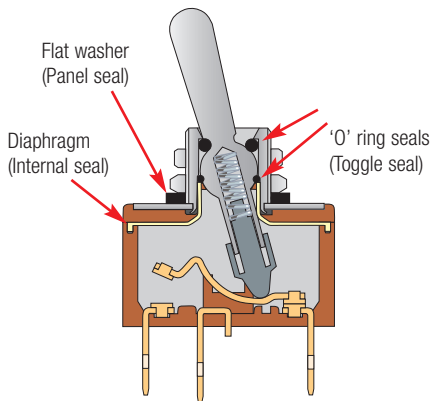
Approvals and ratings vary with function.  
3mm contact gap except where marked  $\mu$ .  
Technical data on pages 4 & 5.  
\* CSA approval for A and B bodies only

**C 3900 B E - - -**

TERMINAL FUNCTION ACTUATOR BODY OPTIONS

TERMINAL	FUNCTION		ACTUATOR
<b>C</b>  6.3 x 0.8	<b>Single pole</b> 	<b>Double pole</b> 	<b>B</b>  metal  Metal toggle finish is nickel plate
	<b>3900</b> 	<b>3950</b> 	
	<b>3901</b> 	<b>3951</b> 	
	<b>3902</b> 	<b>3952</b> 	
	<b>3910</b> 	<b>3960</b> 	
	<b>3911</b> 	<b>3961</b> 	
	<b>3920</b> 	<b>3970</b> 	
	<b>3921</b> 	<b>3971</b> 	
	<b>3922</b> 	<b>3972</b> 	
	Other terminals to special order		

toggle switches



**Toggle switch - sealed version**  
BE and BF types



**Guard R17-10**



C3900BE ---



C3920BA ---



C3950BF ---



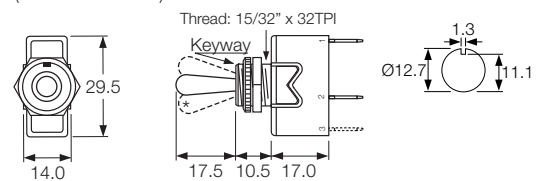
C3972BB ---

BODY	OPTIONS
<p><b>A</b> Single pole</p>	<p><b>Neck Seal M539</b> Actuator is visible</p>
<p><b>E</b> Panel sealed, single pole</p>	<p><b>Cover M1080</b></p> <p>Covers have internal nylon nuts</p>
<p><b>B</b> Double pole</p>	<p><b>Fixing nuts</b> Nickel plated brass are supplied</p>
<p><b>F</b> Panel sealed, double pole</p>	<p><b>Plate</b> P232 plate SP or DP</p>

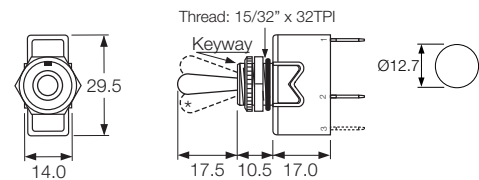
**DIMENSIONS** (mm) \* Indicates ON position (for ON - OFF switches)

**Single Pole**

(C terminals shown)



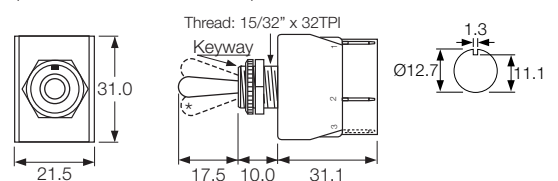
A Body



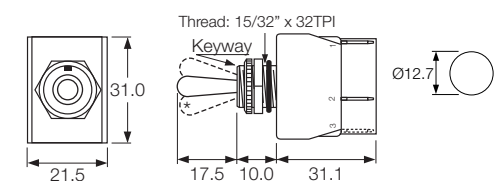
E body (panel sealed)

**Double Pole**

(C terminals shown with barrier)



B Body



F body (panel sealed)