

SPECIFICATION:

Current rating: 1.5 A
 Insulation resistance: 1000 MΩ min.
 Contact resistance: 20 mΩ max.
 Dielectric voltage: 1000 V AC
 Operation temperature: -40 °C to +70 °C

MATERIAL:

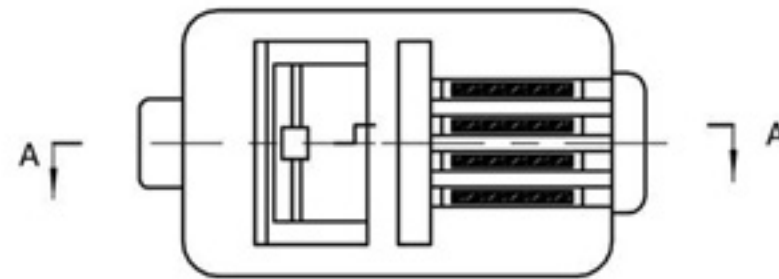
Housing: Polycarbonate UL94V-2
 Contacts: Phosphorbronze

FINISH:

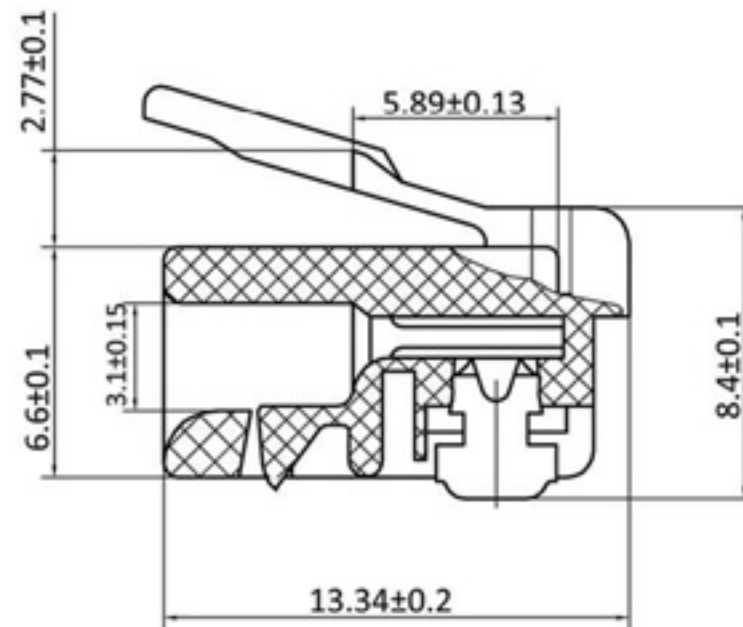
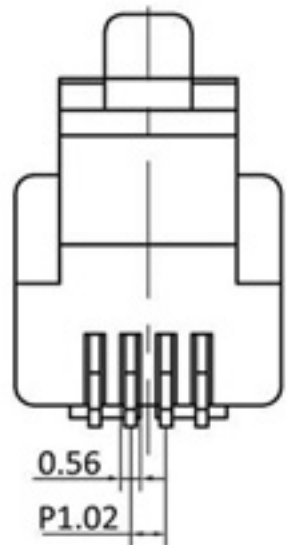
Contacts: Gold flash

HANDLING:

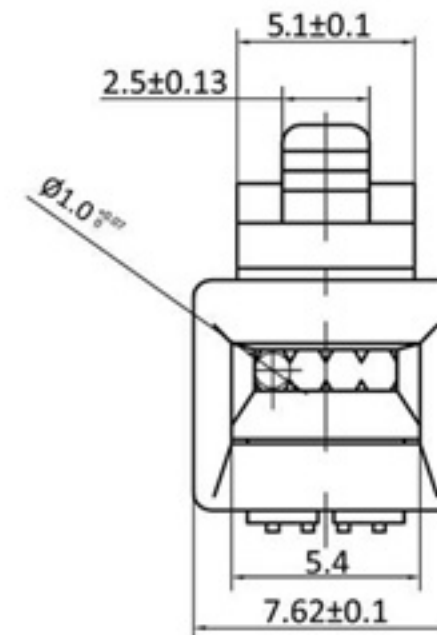
Packing: Bulk



A-A



Flat Cable



Round Cable

